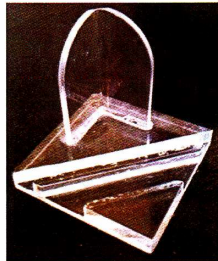


8. This question is about ICT, CAD, CAM, Systems and Processes. It is worth a total of 15 marks.

(a) Shown below are two photographs of the same object printed to be the same size. Both photographs were clear and sharp when taken. Information about the photos is given alongside.

PHOTO 1



Pixel Dimensions: 784.0K (was 785.7K)	
Width: 472	pixels
Height: 567	pixels
Document Size:	
Width: 40.0	mm
Height: 48.0	mm
Resolution: 300	pixels/inch

PHOTO 2



Pixel Dimensions: 2.82K (was 2.79K)	
Width: 28	pixels
Height: 34	pixels
Document Size:	
Width: 10	mm
Height: 12.14	mm
Resolution: 72	pixels/inch

(i) Give **two** reasons why Photo 2 looks blurred.

Reason 1: ..... [1]

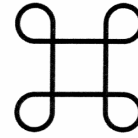
Reason 2: ..... [1]

(ii) Give **one** reason why Photo 2 would be most suitable for placing on a web site. [2]

Reason: .....

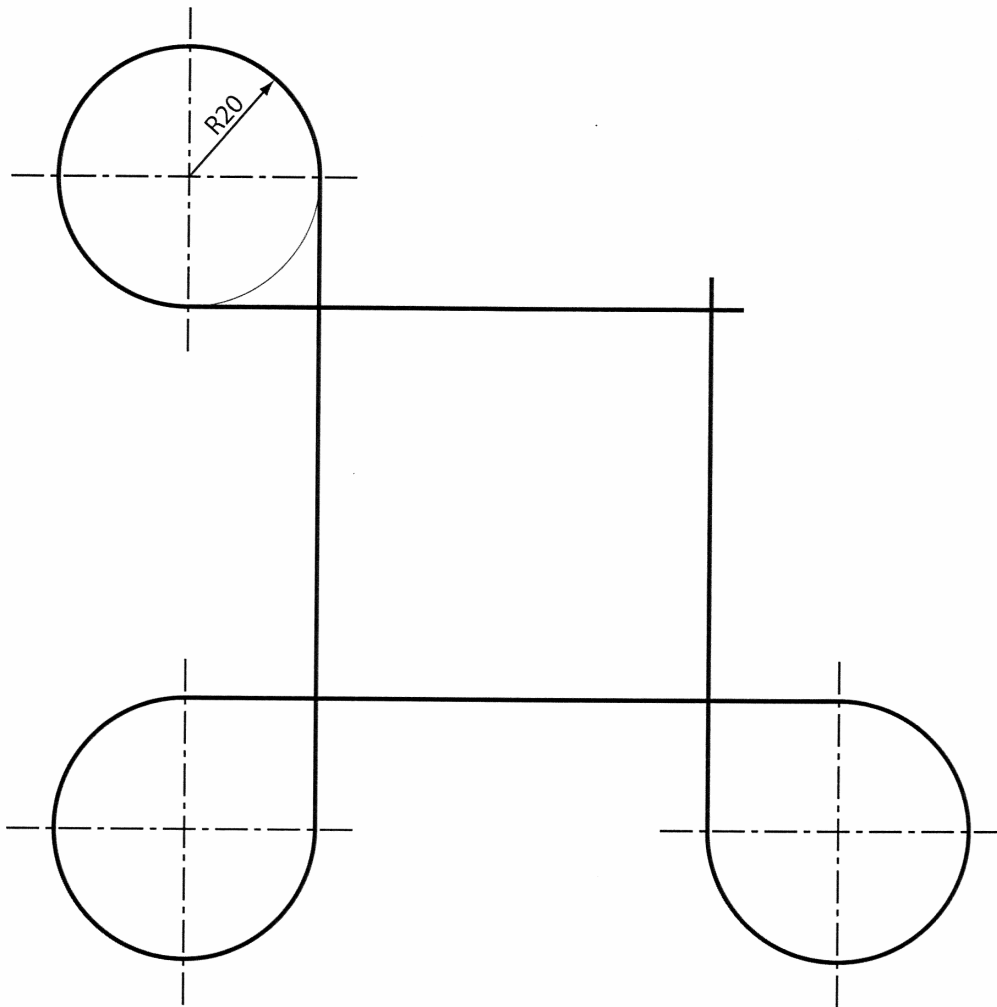
.....

(b) A drawn design, shown alongside, is needed as part of a logo. The design is made up of straight lines and circles that are tangents to the straight lines.



- (i) The accurate drawing below needs to be completed to make the design.  
Use drawing instruments to construct the final part of the design.  
(Show all construction lines.)  
*Note: A freehand drawing will gain no marks.*

[4]



- (ii) Explain why it may be better to use CAD to make the drawing.

[2]

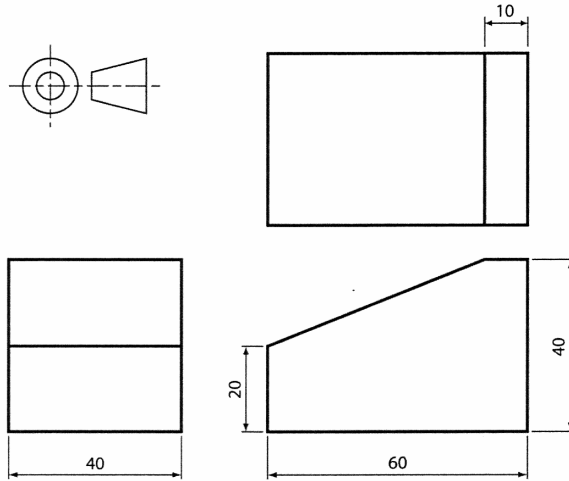
.....

.....

.....

.....

- (c) Use drawing instruments to complete an estimated two point perspective drawing of the shape that has been drawn below. The drawing has been started to help you. [5]



VP1

VP2

Start your  
drawing here